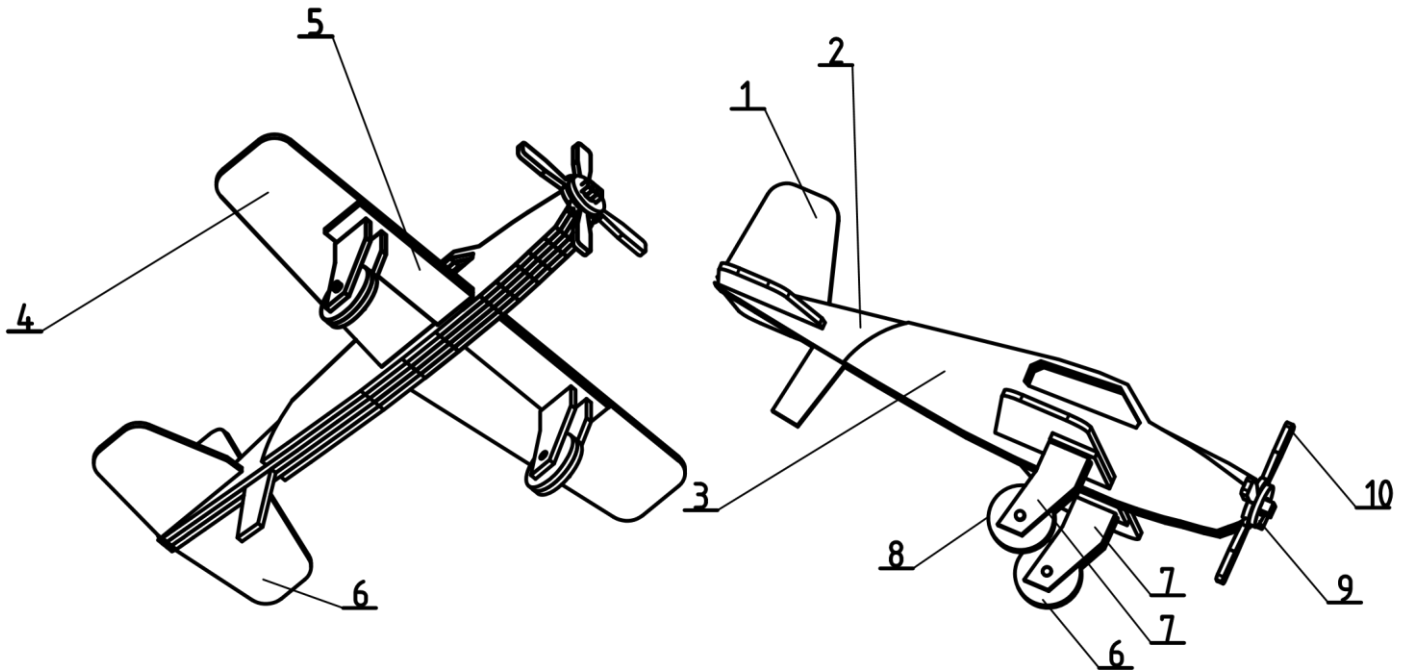
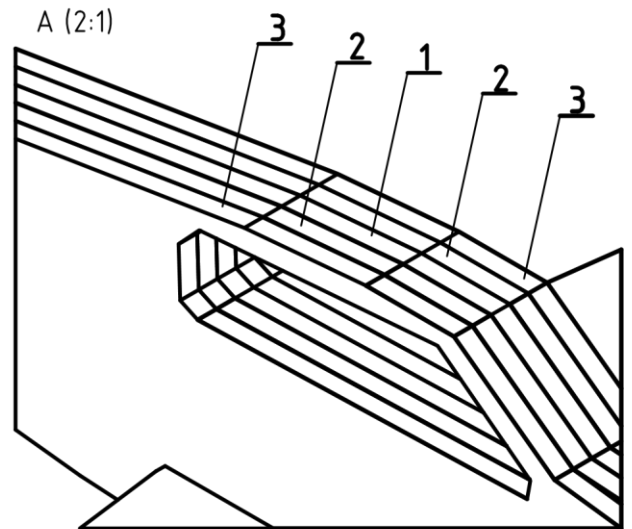
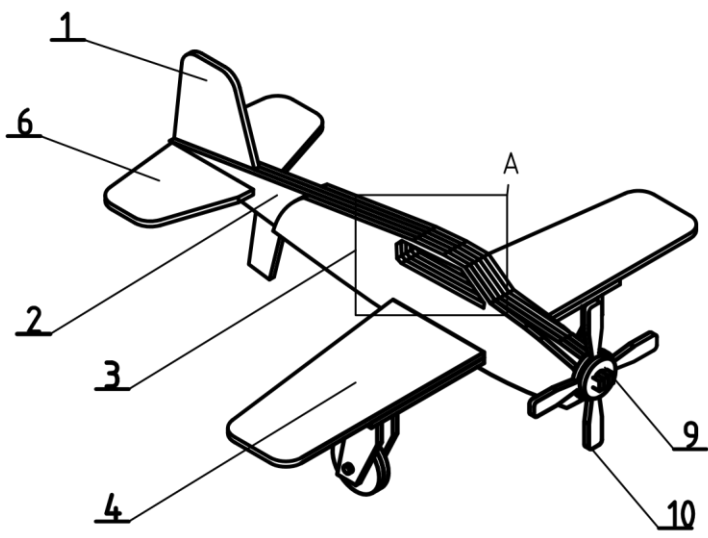


A plane

According to the assembly drawing, make the plane by cutting positions from the template. The cut positions are processed by sanding.

Prepare the shaft for the wheels from barbecue sticks. The functionality of the rudder and propeller is important.





Tools:

compound unimat for sawing, step drill and drill bit 3 mm, key files, clips, sanding accessories, modeling knife

Accessories:

case of drawing instruments

Material:

3 sheets of plywood, 3 mm thick, A4 format
 barbecue stick 150 * 3 mm
 3 templates